

# MSR-900

## Motorized Magnetic Card Reader

- Fast, motor driven read-unit for magnetic cards.
- Vandal-resistant design.
- Automatically read ISO 7811 or AAMVA compatible cards.
- Read IC card conform to ISO 7816.
- Designed for E-Commerce, ATMs, self-service Kiosk and automated vending system.



Power Requirement	Operating Voltage : +12VDC $\pm$ 10% Operating Current : 140mA idle, 240mA with motor on, Max 1.0A when motor start up		
Power supply	120VAC/12VDC, 350mA regulated, 230VAC-12VDC optional		
Ripple	50mVp-p or less		
Communication	RS232 (TTL optional)		
Body Material	ABS 94V-0 Aluminum extrusion/die-cast		
Dimension and Weight	153 (L) x 83 (W) x 55 (H) mm. Approx. 300g		
Operation	DC motor driven, landing contact of IC card		
Environment	Operation : -10 to +55 $^{\circ}$ c, 10 to 85% humidity Storage : -30 to +70 $^{\circ}$ c, 10 to 90% humidity		
Agency approval	FCC class A, CE class A, UL, cUL		
Read Card	Bi-directional, insert and/or eject		
Read card format	Track 1	Track 2	Track 3
Bit density	210 bpi	75/210 bpi	210 bpi
Coercive force	Read 300-4000 Oe magnetic stripe		
Jitter card	$\pm$ 15% Interval & sub-interval		
Low Amp. card	60%		
Read IC card	ISO 7816 & EMV (optional)		
Card thickness	0.2 – 1.2mm		
Card travel speed	15-18 ips		
Read error rate	< 0.5%		
MTBF	100,000 Hours		
Head life	Min. 500K pass life, 1M life optional		

Model Configuration						
Model	Output	IC Card	Track			Shutter
			1	2	3	
MSR-900-33BB	RS232	--	R	R	R	--
MSR-910-33AB	TTL	--	R	R	R	•
MSR-901-33AB	RS232	R	R	R	R	•
MSR-911-33AB	TTL	R	R	R	R	•
MSR-900-33AB	RS232	--	R	R	R	•

Note : All specifications are subject to change without notice



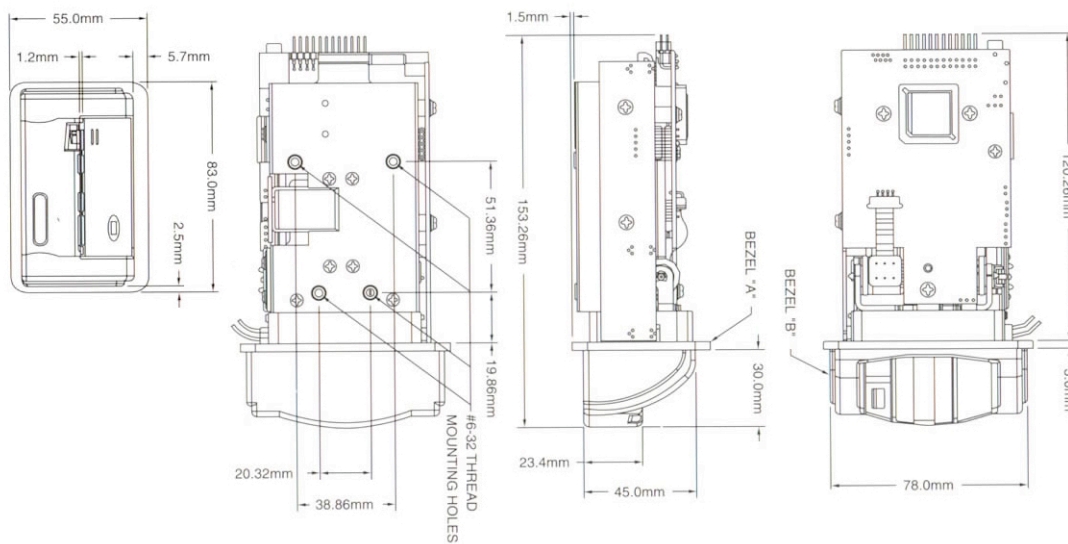
Securetech Peripherals, Inc.,  
2340 Sepulveda Blvd., Suite D  
Torrance, CA 90501 U.S.A.

<http://securetech-corp.com>  
sales@securetech-corp.com  
Phone : 310-891-0937, Fax : 310-891-0938

# MSR-900

## Motorized Magnetic Card Reader

Interconnection	
Cable	5 feet, DB9 connector
DB9 connector pin assignment	
1, 4, 6	Short
2	TXD / MSR-900 transmit data
3	RXD / MSR-900 receive data
5	Circuit ground
7, 8	Short
9	--
Default : 9600, 8 bit per character, non parity, 1 stop bit	



Note : All specifications are subject to change without notice



Securetech Peripherals, Inc.,  
2340 Sepulveda Blvd., Suite D  
Torrance, CA 90501 U.S.A.

<http://securetech-corp.com>  
sales@securetech-corp.com  
Phone : 310-891-0937, Fax : 310-891-0938